

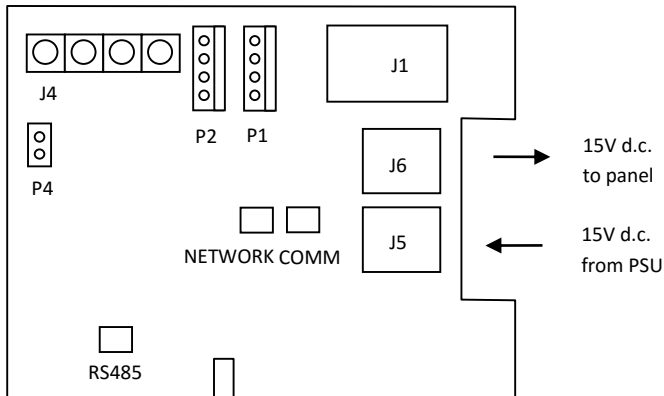
Ethernet Module A083 Series

The Ethernet module allows Intellibus enabled Galaxy panels to communicate via local and wide area networks for alarm signalling, remote servicing and integration with other systems.

Installation instructions

To install the module:

1. Ensure that the panel is either in auto detect mode (menu option 72=AUTO DETECT) or is powered-down.
2. Remove the Ethernet module from its packaging.
3. Fit jumper **P4**.



4. In the control panel housing, fit the Ethernet module into the module rack nearest to the panel PCB.
5. Disconnect the 15V power supply cable from the panel PCB.
6. Connect the Intellibus cable from the panel connector **PL3** to connector **P2** on the Ethernet module.
7. Connect the power cable from **J6** on the Ethernet module to **SK3** on the panel PCB.
8. Connect the Cat5 cable to the Ethernet connector **J1**.
9. Connect the 15V power supply cable to **J5** on the Ethernet module.
10. If the system is powered-down, apply power now and check that module is communicating (see Diagnostics section).

Configuration

The Ethernet module should configure on the data bus automatically when the system is powered up. If not, refer to the installer manual for the control panel. The Ethernet module uses DHCP to configure automatically onto the local area network. If manual setup is required, refer to [56.3.3].

Jumper headers

P4: tamper bypass

Diagnostics

Once powered up the following LEDs can be used to check the status of the module.

LEDs

NETWORK: Ethernet network connection (LED on when connected)
COMM: Active Ethernet communications (flashing)
RS485: Panel connection good (short flash every second)

Specifications

Product Reference	A083-00-10; A083-xx-10
Service temperature	0 deg to 40 deg C
Storage temperature	-10 deg to +60 deg C
Humidity	25% to 55%
Product weight (PCB)	50g
Dimensions (PCB)	W80mm x L68mm x D18mm
Nominal Supply Voltage	15V d.c.
Typical Current	90mA
Maximum Current	135mA





Compliance

This product is suitable for use in systems designed to comply with EN50131-1:2006+A1:2009 and PD6662: 2010. This module complies with the requirements of EN50136-1:2012 and EN50131-3: 2009+AC:2010

Independently certified by CNPP, France, to EN50131-3: 2009+AC:2010 and EN50136-1: 2012.

- Security Grade – 4
- Environmental Class – II
- Alarm Transmission System categories SP4 and DP3

Explanation of symbols

Name	Logo/diagram	Note
WEEE/DEEE		The WEEE symbol. It indicates this product is to be recycling and not been thrown away in a dustbin.
CE		CE compliance logo. This product is in conformity with the relevant European union harmonisation legislation.
EAC		CE equivalence for Russian Federation, Rep of Kazakhstan, and Rep of Belarus.
LAN/WAN		Local and wide area networks connection.

